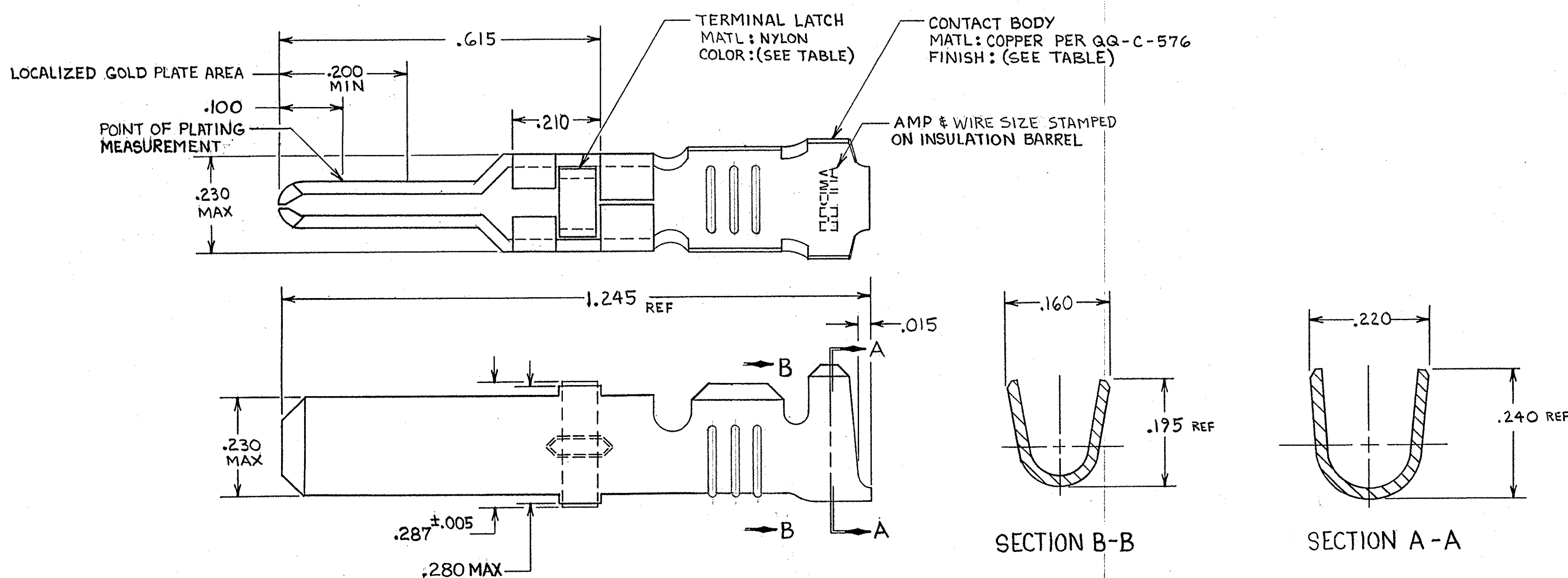


THIS DRAWING IS UNPUBLISHED. RELEASED FOR PUBLICATION, 19
 © COPYRIGHT 19 BY AMP INCORPORATED, HARRISBURG, PA. ALL INTERNATIONAL RIGHTS RESERVED. AMP PRODUCTS MAY BE COVERED BY U.S. AND FOREIGN PATENTS AND/OR PATENTS PENDING.

REVISIONS						
P	F	ZONE	LTR	DESCRIPTION	DATE	APPROVED
✓	✓		V	REDRAWN & REVISED PER ECN R-1451	9-30-85	REF SLB
✓	✓		W	OBSOLETE -3 PER R-2760	3-4-87	SLB
			Y	REV PER 063D-269-03	CT	5-03 DHe



- 1 REELED FOR USE WITH STANDARD APPLICATORS.
- 2 REELED FOR USE WITH HEAVY DUTY MINI-APPLICATORS.
- 3 PLATED WITH .000100 MIN SILVER PER QQ-S-365.
- 4 PLATED WITH .000015 MIN GOLD PER MIL-G-45204 IN THE LOCALIZED GOLD PLATE AREA, GOLD FLASH ON THE REMAINDER, OVER .000030 MIN NICKEL PER QQ-N-290.
- 5 PLATED WITH .000030 MIN GOLD PER MIL-G-45204 IN THE LOCALIZED GOLD PLATE AREA, GOLD FLASH ON THE REMAINDER, OVER .000030 MIN NICKEL PER QQ-N-290.
- 6 PLATED WITH .000050 MIN 93-7% TIN-LEAD ALLOY OVER .000030 MIN NICKEL PER QQ-N-290.
- 7. WIRE RANGE = 12-16 AWG.
- 8. INSULATION RANGE = .140-.165 DIA.
- 9. PLATED TIN (NO LEAD) .000050 MIN THK PER ASTM-B-545 OVER NICKEL .000050 MIN THK PER QQ-N-290.

FINISH	STRIP ASS'Y P/N REF	STRIP ASS'Y P/N REF	LOOSE PIECE P/N ASS'Y
BLACK	1-66255-2	1-66255-1	66261-5
NATURAL	66255-8	66255-7	66261-4
BLACK	66255-4	66255-2	66261-3
BLACK	66255-6	66255-2	66261-2
BLACK	66255-5	66255-1	66261-1

UNLESS OTHERWISE SPECIFIED DIMENSIONS ARE IN INCHES. TOLERANCES ON: DECIMALS ±.010 ANGLES ±	CONTRACT NO		AMP INCORPORATED Harrisburg, Pa. 17105	
	DR. <i>Rick Rohrbach</i> 9-27-85			
MATERIAL SEE CALLOUT	CHK. <i>Larry G. Lawner</i> 10-1-85		NAME MALE TYPE XII CONTACT LOOSE PIECE ASS'Y	
	APPD. <i>B. A. Boland</i> 10-1-85		SIZE C	
FINISH SEE DASH NO	APPD. <i>Henry E. Smith</i> 10-3-85		FSCM NO 00779	
	DSGN APPD		DRAWING NO 66261	
OTHER APPD		SCALE NTS		SHEET